

TR 200

Montage- & Bedienungsanleitung



GB Manual



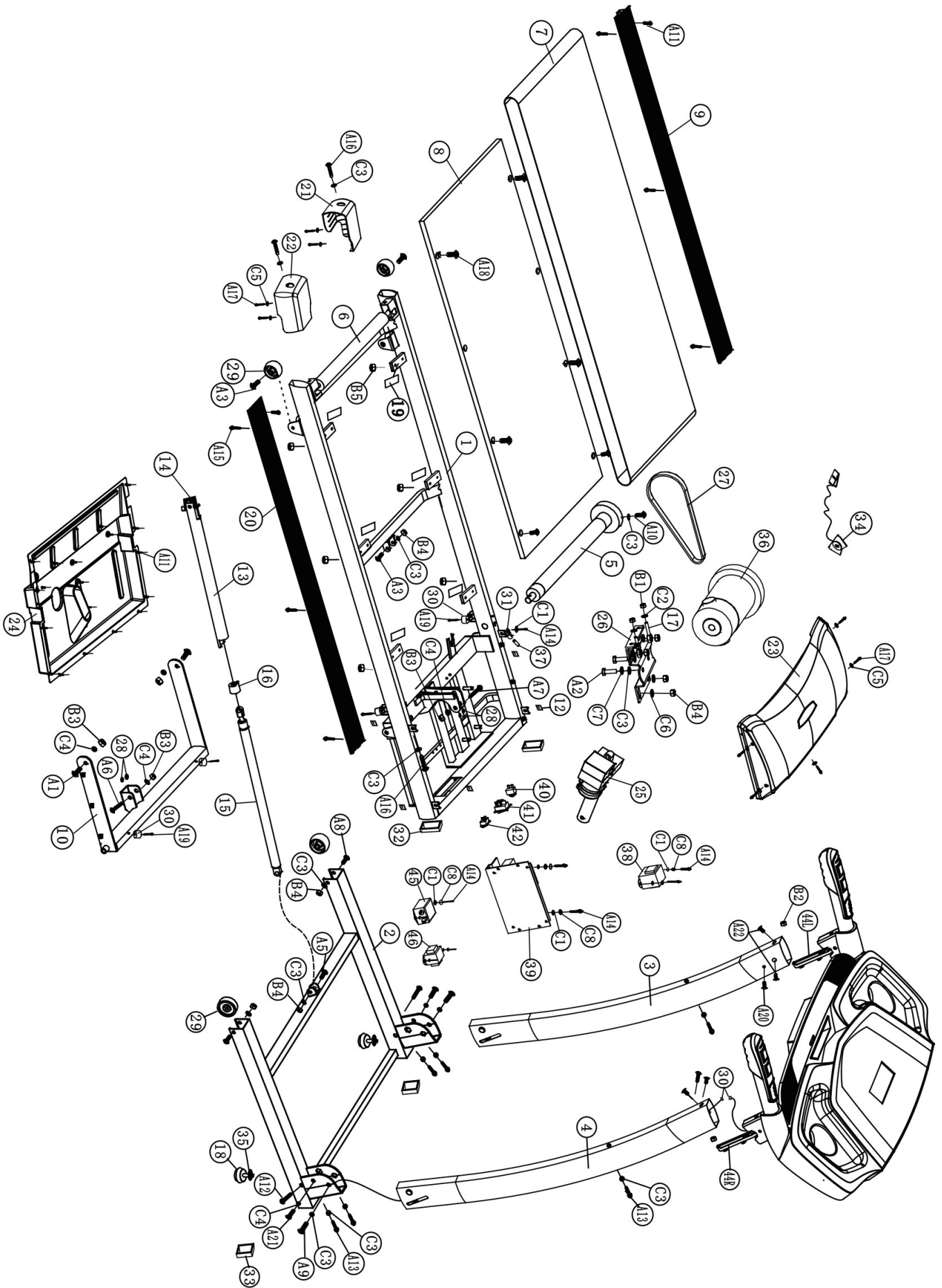
DE Gebrauchsanweisung





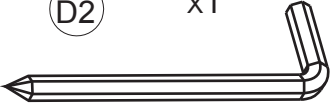
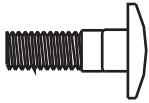

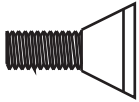
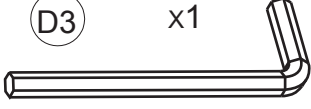
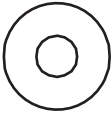
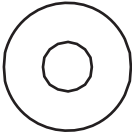
Art.-Nr.: 11206

Explosionszeichnung
Explosion drawing
Explosietekening



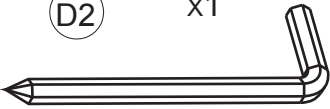
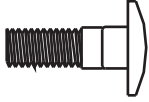

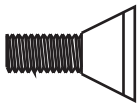
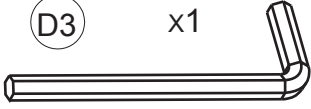
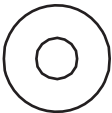
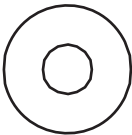
Vue explosée
Disegni esplosi



Hardware and tool

<p>(A21)  x2 M10 x 50 Bolt</p>		<p>(D4)  x1 Lubricant Bottle</p>	<p>(D2) x1  S5 Screwdriver</p>
<p>(A13)  x4 M8 x 16 Bolt</p>	<p>(D1)  x1 Wrench</p>		
<p>(A22)  x4 M8 x 16 Bolt</p>			<p>(D3) x1  S6 Screwdriver</p>
<p>(C3)  x4 Ø8 Flat Washer</p>		<p>(C4)  x2 Ø10 Flat Washer</p>	

Kleinteile und Werkzeug

<p>(A21)  x2 M8 x 45 Bolzen</p>		<p>(D4)  x1 Schmiermittel</p>	<p>(D2) x1  S5 Schraubenzieher</p>
<p>(A13)  x4 M8 x 16 Bolzen</p>	<p>(D1)  x1 Schraubenschlüssel</p>		
<p>(A22)  x4 M8 x 16 Bolzen</p>			<p>(D3) x1  S6 Schraubenschlüssel</p>
<p>(C3)  x4 Ø8 Unterlegscheibe</p>		<p>(C4)  x2 Ø10 Unterlegscheibe</p>	

Safety:

- Read this user manual and keep it in a safe place. Use this product exclusively in the manner indicated.
- This equipment must be assembled and used by adults.
- The equipment complies with the EN-957 standard, classification HB for use in the home. It must not be used in a sports center or any other public, associative or rented space.
- For totally safe use, a stable, level surface is required. Protect your floor covering with a mat. Do not use the equipment in damp areas (swimming pool, sauna, etc.).
- Do not allow children to play with this equipment. Do not allow children close to this equipment when you are training.
- Maximum weight of user: 100 kg.
- **Before you start training, it is essential that you consult your doctor to determine the intensity level of the program you use.**
- Excessive or badly programmed training can damage your health.
- Keep your back straight when exercising.
- It is strongly recommended that you wear suitable clothing and footwear.
- For adjustable parts, bear the maximum positions in mind.

Maintenance:

- Regularly check that elements fastened with nuts and bolts are correctly tightened.
- To maintain the level of safety, the equipment must be regularly checked. It is vital that any faulty parts are replaced and that it is not used until completely repaired. Remember regularly to grease moving parts.
- As sweat is very corrosive, do not allow it to come into contact with the enameled or chromed parts of the equipment, particularly the computer. Immediately wipe the equipment after training. The enameled parts can be cleaned using a damp sponge. All aggressive or corrosive products should be avoided.

Guarantee:

the chassis is guaranteed for 5 years. Moving parts are guaranteed for 2 years.
The guarantee applies to normal use by a private individual in his home

Recycling:

The « crossed out dustbin » sign means that this product and its batteries cannot be thrown out with domestic waste. They should be treated apart. When you have finished with them, drop them at an authorized collection point so they can be recycled. This gesture will go towards protecting the environment and your health.

Assembly Instruction

Assembly:

Please make sure there's enough space to install the treadmill and recommend 2 persons to install it.

WARNING:

Don't insert the power wire until the treadmill was fully assembled.

1.

Take out the machine from the carton; put it on the flat ground; Hold up the Computer /Handlebar (11) and the Left & right support tube (3,4) along with the computer connecting plate (44), insert the computer connecting plate and the tube of console to the Left & right support tube.

(NOTE: Please don't press against the wires.) (See figure 1-a-b)

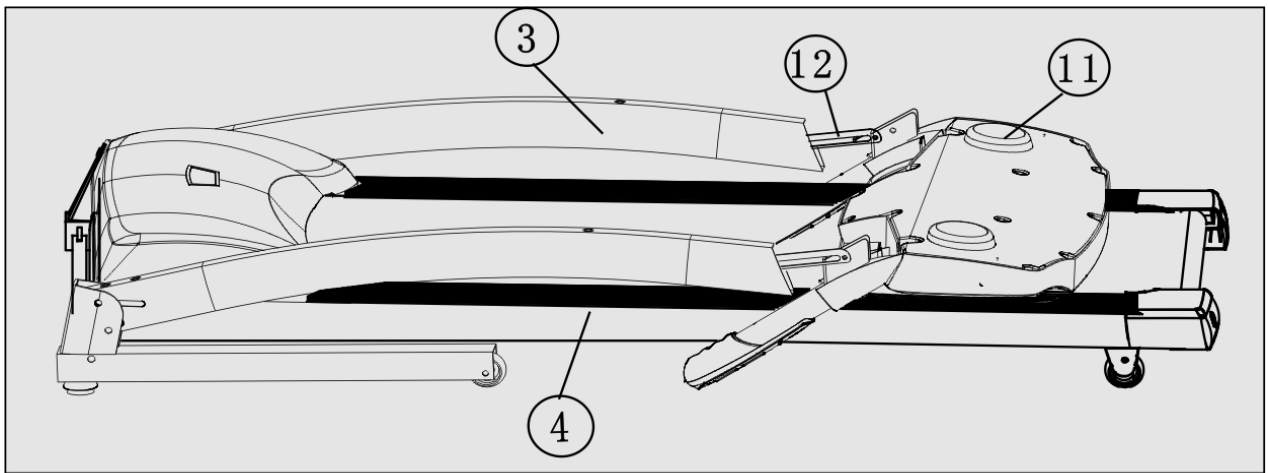


Figure 1-a

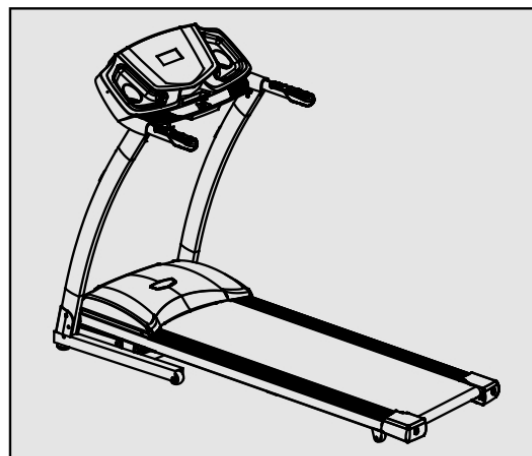


Figure 1-b

Assembly Instruction

2.

Assemble the Left & right support tube (4, 5) with base frame (2), with the front 4 sets of bolt M8 x 16 (A13) and Flat washer $\phi 8$ (C3), sided face 2 sets of bolt M10 x 50 (A21) and Flat washer $\phi 10$ (C4).

3.

Tighten the computer (11) with the Left & right support tube (3, 4) with 4 sets of bolt M8 x 16 (A22), (See figure 2-B).

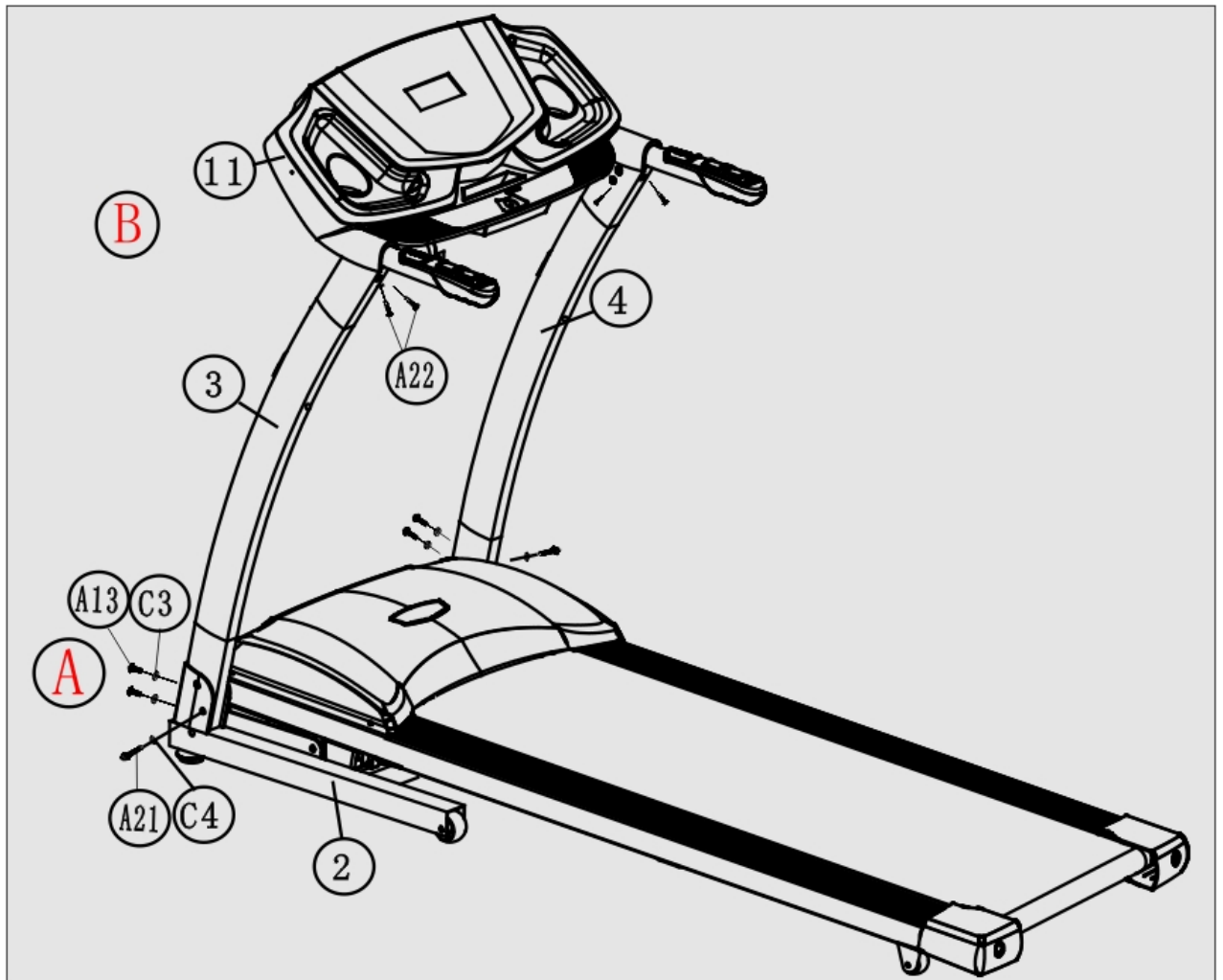


Figure 2

Computer Instruction



Calorie: 0-999 kcal
Distance: 0-99.99 km
Time: 0-99 minutes: 59 seconds
Heart beat: 60-200/minute

Computer operation:

Start the computer: connect the power, press the switch on machine, put the safety key in the groove on computer, the computer is ready.

If the incline is not 0%, after pressing "incline +", "incline -" or "START/STOP", the treadmill will automatically return to incline 0%. Then you can set incline.

Manual operation: when computer is ready, press the on/off button, the time will count down 3 seconds, then the treadmill starts, the initial speed is 1 km / h and incline is 0%. The LCD will show the speed accordingly. Adjust the speed and incline by pressing speed and incline buttons on computer. The speed will increase by 0.2 km / h and incline by 1 each time.

Preset program operation

This treadmill has 18 preset programs. P1-P5 is weight losing program. P6-P10 is stamina reaching program. P11-P12 is stamina exercising program. P13-P15 is stamina remaining program. P16-P18 is body recovering program.

- Press "PROGRAM" to enter automatic program status, the LCD will show program 1. It shows total time, and incline of this program.
- Press "P+" and "P-" to change programs, press ENTER to enter the program you want.
- The time window shows program preset total time. Press +/- to change program running time (The scale is 10-59 minutes.), press ENTER after setting.
- Press "ON/OFF" to enter program status. The time starts to count down. When changing different programs, it will produce beep sound. When the time descends to zero, the speed slows down and the treadmill stop.
- During program running, you can press "Speed -" or "Speed +" to change speed, and press "Incline -" or "Incline +" to change incline. When it comes to the next section, it will show the initial data of this section.

Manual setting mode:

Manual setting mode is for user to set time, distance and calorie.

A. Time setting (scale: 1-60 min)

Under ready status, press MODE, Time window will twinkle, press "+/-" to set time.

Press ENTER to enter distance setting.

B. Distance setting (scale: 0.1-99KM)

DISTANCE window will twinkle, press "+/-" to set distance. Press ENTER to enter calorie setting.

C. Calorie setting: Calorie window will be flickering, press "+/-" to set calorie, press Enter to confirm setting.

D. TIME, DISTANCE, CALORIE window twinkles, press "start/stop" to operate.

If there is no setting of time, distance, calorie, these window will add up. Otherwise, they will count down. When finishing count down, the treadmill will stop and back to ready status.

Computer Instruction

Body fat operation:

- a. Under ready status, press MODE key until BODYFAT window twinkles, press ENTER to enter gender setting.
- b. Gender setting: the LCD shows "MAN" or last set gender, Press "+/ -" to choose: "MAN", "WOMAN", Press "ENTER" to set weight.
- c. Weight (25-200KG), The LCD will twinkle and show 60 (KG), Press "+/ -" to choose your weight. Press "ENTER" to set height.
- d. Height (100-220CM), The LCD will twinkle and show 165 (CM), Press "+/ -" to choose your Height. Press "ENTER" to set age.
- e. Age (8-65), The LCD will twinkle and show 25, Press "+/ -" to choose your age. Press "ENTER" to set body fat test.
- f. After all setting, The LCD will twinkle and then hold both of your hands on the hand pulse to test your body fat. The LCD will show your body fat when test is finished, or it will show "-----" if it's failed. The computer will choose the appropriate program for you after processing the data. You can press "Body Fat" to quit the test during operation and return to ready status.
- g. Press "start/stop" to quit setting.
- h. Taking Asian measure: body fat under 19 is thin; between 19 and 24 is realistic weight; between 24 and 27 is overweight; over 27 is obese.

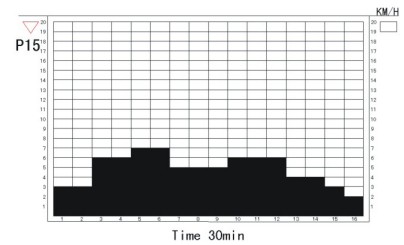
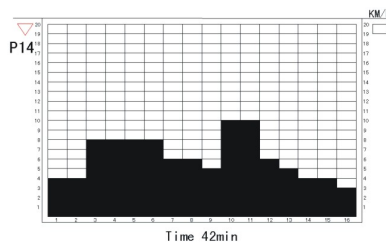
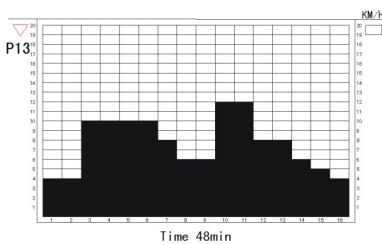
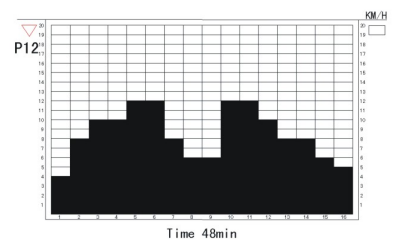
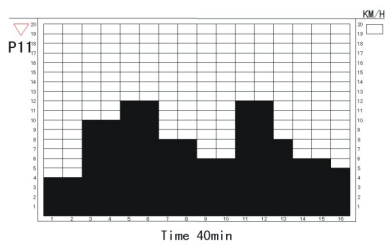
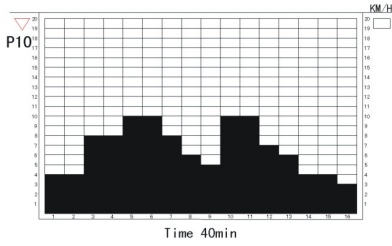
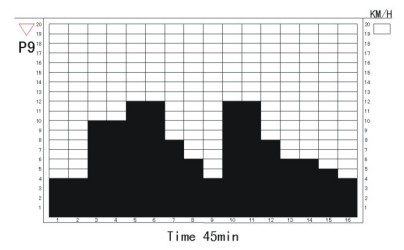
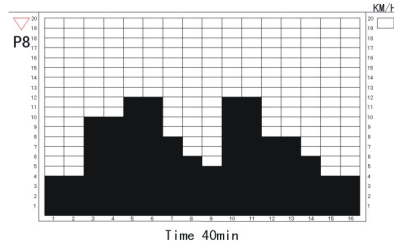
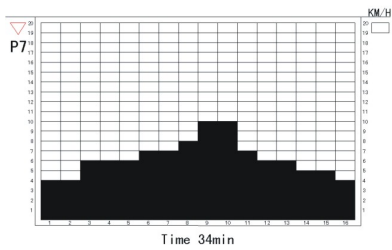
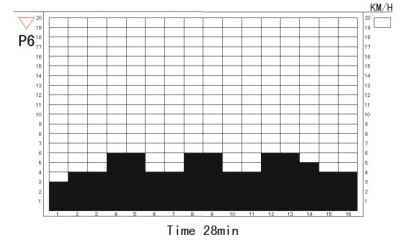
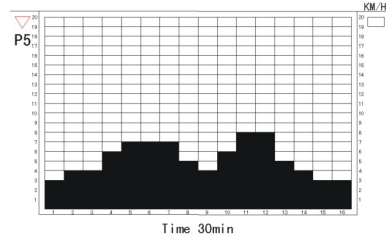
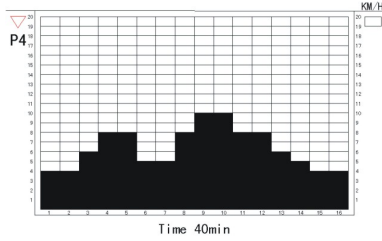
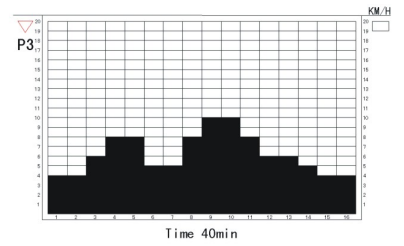
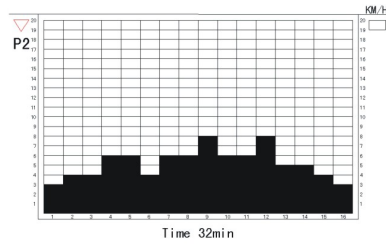
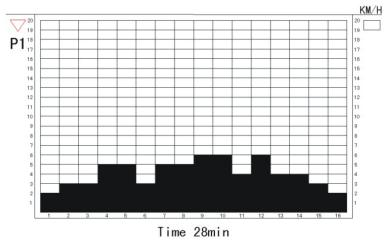
Pulse testing: In non-exercise status, hold both of your hands on the pulse sensors, the LCD will show the index, the heart shape light will show the pulse twinkling.

Malfunction:

Computer's indication for the malfunction of speed /incline sensor:

- A. Er01: Speed failure. After the treadmill starts, if there is any speed malfunction, it will stop after running for 6 seconds. Computer will back to ready status and time window shows "Er01". Any operation for the computer will be wasted.
- B. Er02: Overload current failure. After the treadmill starts, if there are overload current in the motor, it will stop and time window shows "Er02".
- C. Er03: Correspond failure. When computer and driver fail to correspond, the time window shows "Er03".
- D. Er04: Current source failure. When there is failure of the current source in the driver, the time window shows "Er04".
- E. incline failure: if the computer doesn't detect incline, incline window will show "--". You can press incline +/- keys to control incline.

Computer Instruction



Folding, Moving and Unfolding Instruction:

- 1) Folding: The treadmill is foldaway. Lift the end of the main frame and fold upwards until the connecting bar rebound to the cover of cylinder tube. (See figure a)
- 2) Moving: Press the handrails to make the front base foot away from the ground then push the treadmill after folding.
- 3) When you want to put the treadmill to the work position, please lift the end of main fame (end cap) a little to make the foldaway support tube higher than the cylinder cover (see figure a-1), tip the foldaway support tube with your foot slightly (see figure a-2), press the end of main fame (end cap) forcibly, remove your foot and keep on pressing the end of main fame for a while. The cylinder will shrink under the weight of itself (see figure b) and the main fame goes flat.

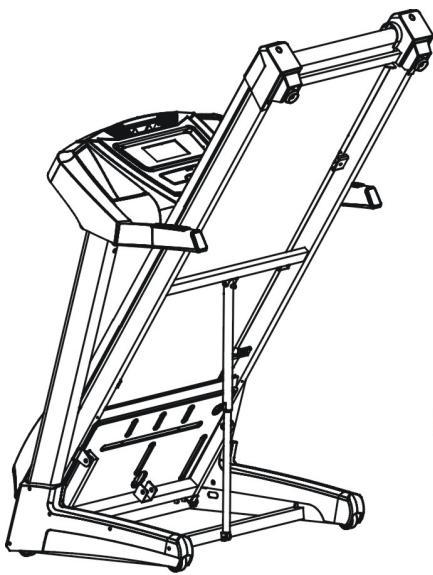


Figure a

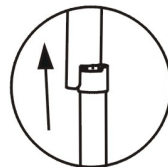


Figure a-1

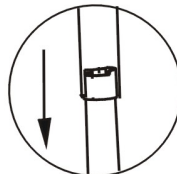


Figure a-2

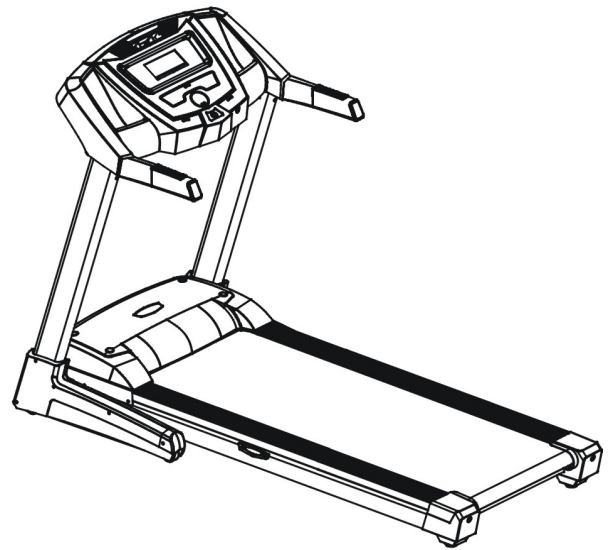
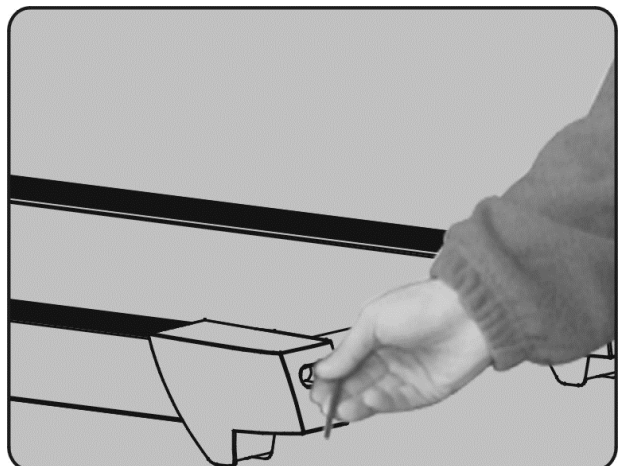


Figure b

Maintenance and Malfunction Treatment:

- 1) The surface of the treadmill should be kept clean, pull out the power line before cleaning. You can clean the running belt and the surface of the treadmill with a soft and wet cloth.
- 2) The running belt is adjusted at factory; it may runs defectively after transportation and use. Turn off the treadmill before adjusting, pull the belt in the center, and then adjust the left and right bolts in rear roller with hex spanner (See figure) it is better to adjust 1/2 circle once. Then turn on the switch, check if the belt 10 runs defectively when the running speed is 4~5 km/h.
- 3) After using over 100hours or the lubricant between the running board and the running belt is used up, please lubricate the running board and adjust the running belt well.
- 4) After a long time of running, the belt may be longer and stuck. You should turn the left and right adjustor bolt in rear roller clockwise at same position till the runs smoothly and freely.



Warning:

- 1) The safety level of the equipment can be maintained only if it is examined regularly for damage and wear, e.g. pins, connection points.
- 2) Please replace defective components immediately and/or keep the equipment out of use until repair.

Malfunction	Reason	Treatment
1. Power on but no display on the computer	<ol style="list-style-type: none"> 1. Plug incorrectly. 2. Overload protection switch is off 3. Transformer is inserted incorrectly. 4. The fuse in the driver is burned. 	<ol style="list-style-type: none"> 1. Plug it again. 2. Reset it. 3. check it up or replace it. 4. Replace it
2. Show Er01, Speed sensor malfunction	<ol style="list-style-type: none"> 1. Speed sensor is broken or installed incorrectly. 2. Optocoupler in the driver is damaged 3. other parts outside IC is broken 	<ol style="list-style-type: none"> 1. Check up the install position or replace the speed sensor 2. Replace Driver or the Optocoupler 3. Replace driver
3. Show Er02, motor electricity overload malfunction	<ol style="list-style-type: none"> 1. Overload current through the motor 2. Obstruction of the roller is too much 3. Driver is damaged 	<ol style="list-style-type: none"> 1. replace the motor 2. enhance lubricating or replace it 3. replace the driver
4. Show Er03, Correspond failure	<ol style="list-style-type: none"> 1. undesirable signal wire 2. Optocoupler in the driver is damaged 3. Computer is damaged 	<ol style="list-style-type: none"> 1. check up the signal wire's connector to the computer and the driver 2. replace driver or the Optocoupler 3. replace computer board
5. Show Er04, driver power malfunction	<ol style="list-style-type: none"> 1. motor haven't inserted well or motor's damaged (broken circuit) 2. the relay of the driver is damaged 3. the bridge of the driver is damaged 4. other parts outside IC is damaged 	<ol style="list-style-type: none"> 1. check up or replace a motor 2. replace driver or relay 3. replace driver or bridge 4. replace driver
6. If incline window will show "--", incline is in malfunction.	<ol style="list-style-type: none"> 1. Incline motor sensor insert incorrectly. 2. Incline motor sensor is damaged. 3. parts in the driver is damaged 	<ol style="list-style-type: none"> 1. check up the connection of the plug 2. replace incline motor 3. replace driver
7. Without loading, operate normally. With loading, hard to start and with stops.	<ol style="list-style-type: none"> 1. Driver's torque regulation is small 2. running belt gets loose 3. undesirable motor 	<ol style="list-style-type: none"> 1. adjust the torque 2. adjust running belt 3. replace motor

Parts and tools list

No.	Description	Qty
1	Base support	1
2	Base frame	1
3	Left upright tube	1
4	Right upright tube	1
5	Front roller	1
6	Rear roller	1
7	Running belt	1
8	Running board	1
9	Left side rail	2
10	Incline frame	1
11	Computer /Handlebar	1
12	Stator	5
13	Cylinder support tube	1
14	Spring plate	1
15	Cylinder	1
16	Cylinder bushing	1
17	Eyebolt	2
18	Adjustable foot pad	2
19	Cushion	6
20	Right side rail	1
21	Left end cap	1
22	Right end cap	1
23	Motor cover	1
24	Motor down cover	1
25	Incline motor	1
26	Motor support	1
27	6V belt	1
28	φ10 special washer	4
29	Foot wheel	4
30	Small Cushion	4
31	Sensor frame	1
32	D50 x 25 tube plug	2
33	Square plug	2
34	Safety key	1
35	Lock nut	2
36	Motor	1
37	Finger shape sensor	1
38	Transformer	2
39	Driver	2
40	Emergency stop key	1
41	Cymbiform switch	1
42	Wire buckle	1
43	Signal wire	1
44	Console connecting plate (L&R)	2
45	EMC filter	1
46	Inductor	1
A1	Bolt M10 x 20	2
A2	Bolt M8 x 12	2
A3	Bolt M8 x 45	3
A4	Bolt M8 x 16	4
A5	Bolt M8 x 30	1
A6	Bolt M10 x 60	1
A7	Bolt M10 x 45	1
A8	Bolt M8 x 55	2
A9	Half-round bolt M8 x 50	2
A10	Half-round bolt M8 x 40	1
A11	Crosshead self-lock bolt ST4.2 x 10	21
A12	Half-round bolt M10 x 70	2
A13	Half-round bolt M8 x 16	6
A14	Crosshead self-lock bolt ST4.2 x 12	5
A15	Crosshead self-lock bolt ST4.2 x 40	6
A16	Bolt M8 x 70	3
A17	Crosshead self-lock bolt ST4.2 x 16	9
A18	Crosshead bolt M6 x 25	6
A19	Crosshead self-lock bolt ST4 x 16	2
A20	Half-round bolt M8 x 35	2
A21	Half-round bolt M10 x 50	2
A22	Half-round bolt M8 x 16	4
B1	Nut M6	2
B2	Nylon lock nut M8	2
B3	Nylon lock nut M10	4
B4	Nylon lock nut M8	8
B5	Nylon lock nut M6	6
C1	Flat washer φ4	5
C2	Flat washer φ6	2
C3	Flat washer φ8	18
C4	Flat washer φ10	4
C5	Big flat washerφ4	9
C6	Big flat washerφ8	4
C7	Spring washerφ8	2
C8	Spring washerφ4	4
D1	Wrench	1
D2	Screwdriver (S=5)	1
D3	Wrench (s=6)	1

Sicherheit:

- Lesen Sie dieses Benutzerhandbuch sorgfältig und bewahren Sie es gut auf. Benutzen Sie dieses Gerät nur wie angegeben.
- Dieses Gerät ist von Erwachsenen zu montieren und zu benutzen.
- Ihr Gerät entspricht der Norm EN 957, Klasse HB, für eine Verwendung zu Hause, es darf nicht in einer Sporthalle oder an einem anderen öffentlichen, einem Verein gehörenden oder angemieteten Ort verwendet werden.
- Für eine sichere Benutzung ist eine stabile und ebene Standfläche notwendig. Schützen Sie Ihren Fußbodenbelag mit einem Teppich. Verwenden Sie dieses Gerät nicht an einem feuchten Ort (Schwimmbad, Sauna usw.).
- Lassen Sie keine Kinder mit dem Gerät spielen. Lassen Sie keine Kinder in die Nähe des Geräts kommen, solange Sie trainieren.
- Höchstgewicht des Benutzers: 100 kg
- **Bevor Sie mit Ihrem Training beginnen, ist es unumgänglich, Rücksprache mit Ihrem Arzt zu halten, um die Intensität Ihres Trainingsprogramms zu bestimmen. Übermäßiges oder schlecht geplantes Training kann der Gesundheit schaden.**
- Halten Sie bei den Übungen Ihren Rücken gerade.
- Es wird eindringlich empfohlen, angemessene Sportkleidung und -schuhe zu tragen.
- Beachten Sie bei den verstellbaren Teilen die Maximalpositionen.

Wartung:

- Kontrollieren Sie regelmäßig, ob die Verbindungselemente mit Schrauben und Muttern fest sitzen. Damit Ihr Gerät sein Sicherheitsniveau beibehält, muss es regelmäßig überprüft werden. Es ist dringend geboten, jedes schadhafte Teil zu ersetzen und das Gerät bis zu seiner vollständigen Reparatur nicht mehr zu benutzen. Denken Sie an die regelmäßige Schmierung der beweglichen Teile.
- Lassen Sie Schweiß, da er stark korrosiv wirkt, nicht in Berührung mit den emaillierten oder verchromten Teilen des Geräts kommen, insbesondere nicht mit dem Computer.
- Wischen Sie Ihr Gerät unmittelbar nach dem Training trocken.
- Die emaillierten Teile werden mit einem wassergetränkten Schwamm gereinigt.
- Keine aggressiven oder korrosiven Produkte verwenden!

Garantie:

Der Rahmen unterliegt einer 5-jährigen Garantie. Die Verschleißteile unterliegen einer 2-jährigen Garantie. Die Garantie gilt für eine normale Benutzung durch eine Privatperson zu Hause.

Recycling:

Das symbol « durchgestrichener abfalleimer » bedeutet, dass dieses Produkt wie auch die darin enthaltenen Batterien nicht in den Hausmüll gegeben werden dürfen. Sie sind speziell zu entsorgen. Geben Sie die Batterien oder das elektronische Gerät am Ende des Lebenszyklus zur Wiederverwertung an einer hierfür eingerichteten Sammelstelle ab. Diese Wiederverwertung Ihrer elektronischen Abfälle hilft die Umwelt und Ihre Gesundheit zu schützen.

Aufbauanleitung

Bitte versichern Sie sich, dass Sie genug Platz für den Aufbau Ihres Laufbandes haben. Außerdem empfehlen wir, den Aufbau mit 2 Personen vorzunehmen.

WARNUNG:

Stecken Sie den Stromstecker erst ein, wenn das Laufband komplett aufgebaut ist.

1.

Entnehmen Sie das Laufband aus dem Karton und legen Sie es flach auf den Boden. Halten Sie das Cockpit /Handgriff (11) und die linke und rechte Konsolensäule (3 / 4), sowie die Konsolenanschlußplatte (44) hoch und bringen Sie die Konsolenanschlußplatte und die Ständer an der rechten und linken Konsolensäule an. (BEACHTEN: Drücken Sie nicht auf die Kabel!) (Siehe Bild 1a-1b)

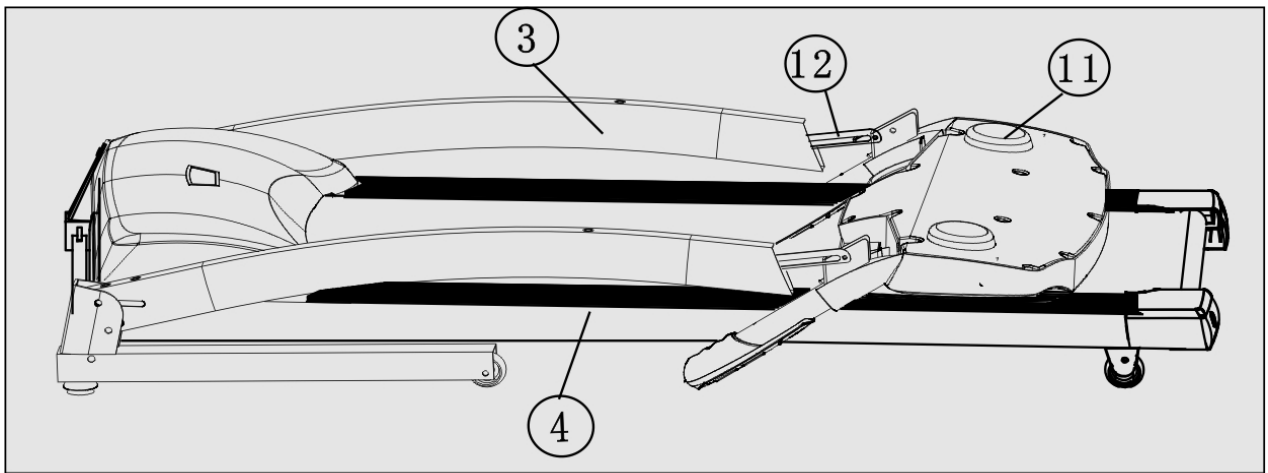


Figure 1-a

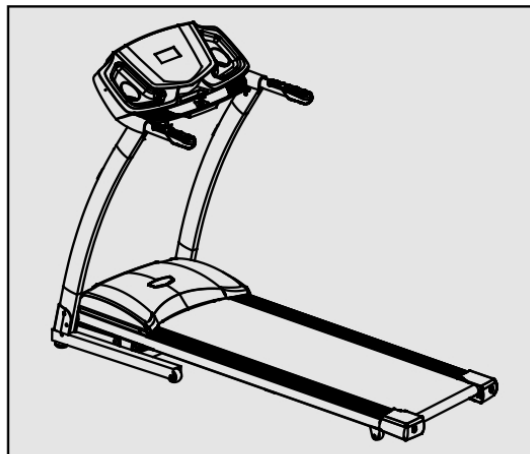


Figure 1-b

Aufbauanleitung

2.

Bringen Sie die linke und rechte Konsolensäule (3 / 4) am Hauptrahmen (2) an – vorne mit 4 Sets aus M8 x 16 Bolzen (A13) und Ø8 Unterlegscheibe (C3) und seitlich mit 2 Sets aus M10 x 50 Bolzen (A21) und Ø10 Unterlegscheibe (C4)

3.

Befestigen Sie das Cockpit (11) an der linken und rechten Konsolensäule (3 / 4) mit 4 x M8 x 16 Bolzen (A22). (Siehe Bild 2).

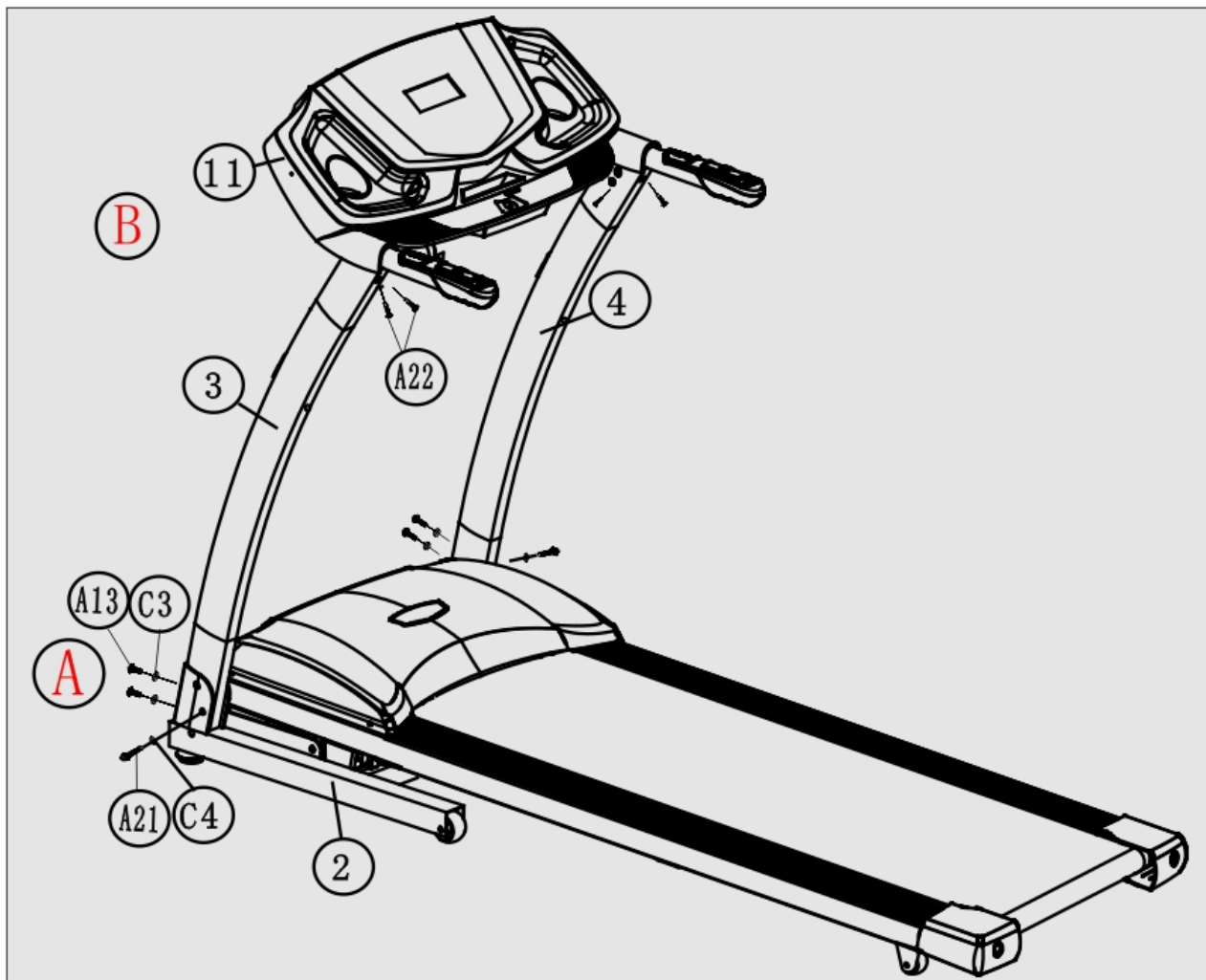


Figure 2

Bedienung des Computers



Kalorien: 0 - 999 kcal
Strecke: 0 - 99,99 km
Dauer: 0 - 99 Minuten: 59 Sekunden
Herzfrequenz: 60 - 200/ Minute

Bedienung des Computers:

Start des Computers: Den Strom anschließen, das Gerät anschalten und den Sicherheitsschlüssel in das Loch am Computer stecken. Der Computer ist betriebsbereit.

Wenn die Steigung nicht 0 % beträgt, kehrt sie automatisch zu 0 % zurück, wenn "incline +", "incline -" oder "START/STOP" gedrückt wird. Dann kann die Steigung eingestellt werden.

Manuelle Bedienung: Wenn der Computer betriebsbereit ist, die "ON/OFF"-Taste drücken. Dann wird von 3 Sekunden zurückgezählt und das Laufband startet mit einer Geschwindigkeit von 1 km/h und einer Steigung von 0 %. Das Display zeigt die Geschwindigkeit an. Die Geschwindigkeit und die Steigung kann mit den Speed- und Incline-Tasten des Computers geändert werden. Die Geschwindigkeit ändert sich pro Tastendruck um 0,2 km/h, die Steigung um 1 %.

Voreingestellte Programme

Das Laufband hat 18 voreingestellte Programme. P1 - P5: Programm zum Gewichtsverlust
P6 - P10: Aufbauprogramm P11 - P12: Trainingsprogramm P13 - P15: Programm zum Beibehalten der Fitness P16 - P18: Erholungsprogramm

- "PROGRAM" drücken, um auf die Programmwahl zuzugreifen. Das Display zeigt das Programm 1. Es wird die Gesamtdauer und die Steigung des Programms angezeigt.
- Die Tasten "P+" und "P-" zum Wechseln des Programms drücken und mit ENTER bestätigen.
- Das Zeit-Fenster zeigt die voreingestellte Dauer. Die Programmdauer (10 - 59 Minuten) mit den "+/-" Tasten einstellen und mit ENTER bestätigen.
- Zum Beginn des Programms "ON/OFF" drücken. Dann zählt die Zeit zurück. Bei einem Programmwechsel ist ein Piepton zu hören. Wenn die Zeit bis auf Null zurückgezählt wurde, verringert sich die Geschwindigkeit, bis das Laufband zum Stillstand kommt.
- Während des Programms kann "Speed -" oder "Speed +" zur Änderung der Geschwindigkeit und "Incline -" oder "Incline +" zur Änderung der Steigung gedrückt werden. Im nächsten Programmabschnitt wird der ursprüngliche Wert dieses Abschnitts angezeigt.

Manuelle Einstellungen:

Die Dauer, die Strecke und die Kalorien können manuell eingestellt werden.

A. Dauer (1 - 60 min)

Wenn der Computer betriebsbereit ist, MODE drücken. Das Zeit-Fenster blinkt. Mit den "+/-" Tasten die Dauer einstellen. Mit ENTER bestätigen.

B. Strecke (0,1 - 99 km)

Das Strecken-Fenster blinkt. Mit den "+/-" Tasten die Strecke einstellen. Mit ENTER bestätigen.

C. Kalorien: Das Kalorien-Fenster blinkt. Mit den "+/-" Tasten die Kalorien einstellen. Mit ENTER bestätigen.

D. Die Fenster DAUER, STRECKE, KALORIEN blinken. Zum Starten die "START/STOP"-Taste drücken. Wenn keine Einstellungen für die Dauer, die Strecke und die Kalorien vorliegen, wird in diesen Fenster vorwärtsgezählt. Ansonsten wird zurückgezählt. Wenn Null erreicht ist, stoppt das Laufband und ist wieder betriebsbereit.

Bedienung des Computers

Körperfettmessung:

- a. Wenn der Computer betriebsbereit ist, MODE drücken bis das BODYFAT-Fenster aufblinkt. Zur Bestätigung ENTER drücken.
- b. Einstellung des Geschlechts: Das Display zeigt "MAN" oder das zuletzt eingestellte Geschlecht an. Mit den "+/-" Tasten "MAN" für Mann und "WOMAN" für Frau wählen. Zur Bestätigung "ENTER" drücken.
- c. Dann muss das Gewicht (Weight) eingestellt werden (25 - 200 kg). Das Display blinkt und zeigt 60 (kg) an. Ihr Gewicht mit den "+/-" Tasten einstellen. Zur Bestätigung "ENTER" drücken.
- d. Dann muss die Größe (Height) eingestellt werden (100 - 220 cm). Das Display blinkt und zeigt 165 (cm) an. Ihre Größe mit den "+/-" Tasten einstellen. Zur Bestätigung "ENTER" drücken.
- e. Dann muss das Alter (Age) eingestellt werden (8 - 65). Das Display blinkt und zeigt 25 an. Ihr Alter mit den "+/-" Tasten einstellen. Zur Bestätigung "ENTER" drücken.
- f. Wenn die Einstellungen beendet sind, blinkt das Display auf. Beide Hände auf die Handpulssensoren halten, damit die Messung des Körperfettanteils beginnt. Das Display zeigt Ihren Körperfettanteil, wenn die Messung fertig ist, oder "----", wenn die Messung nicht funktioniert hat. Nach der Datenverarbeitung wählt der Computer das geeignete Programm für Sie. Zur Beendigung der Messung "Body fat" drücken. Der Computer kehrt in den Modus "betriebsbereit" zurück.
- g. "START/STOP" zum Beenden der Einstellung drücken.
- h. Nach der asiatischen Skala: unter 19 ist dünn, 19 bis 24 ist normal, 24 bis 27 ist übergewichtig und über 27 ist fettleibig.

Pulskontrolle: Außerhalb des Trainings beide Hände an die Pulssensoren halten.

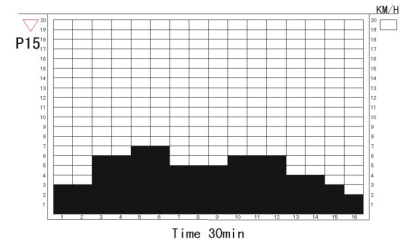
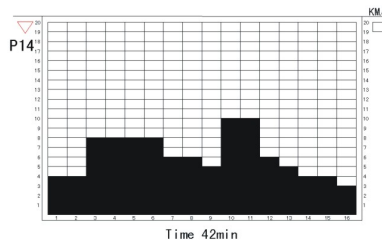
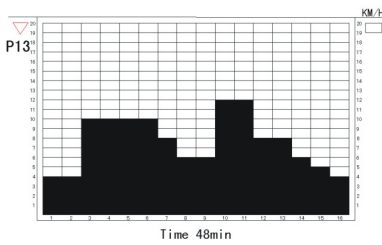
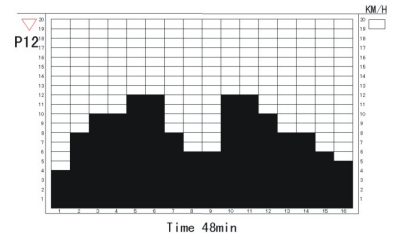
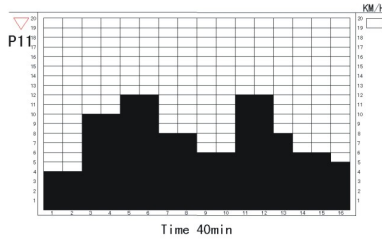
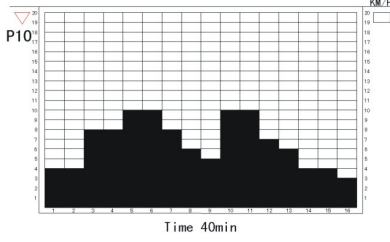
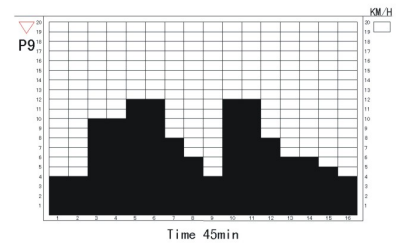
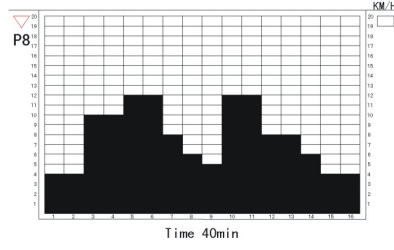
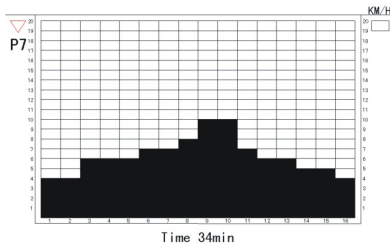
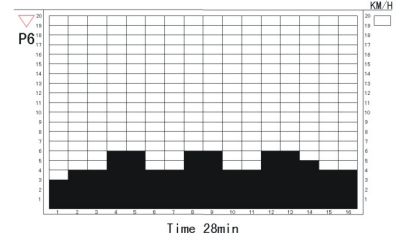
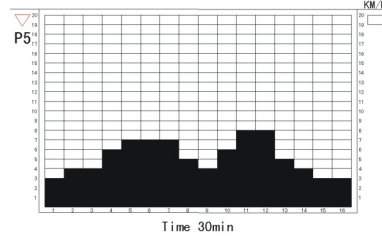
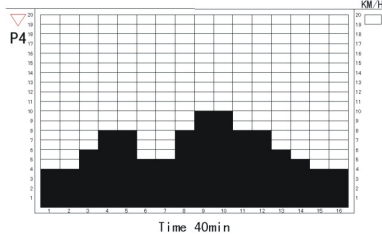
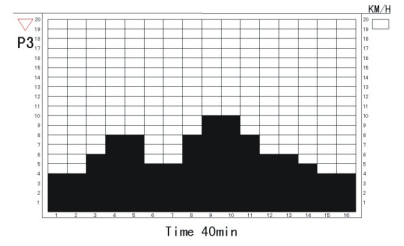
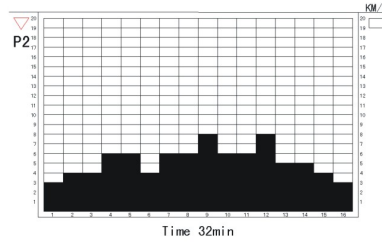
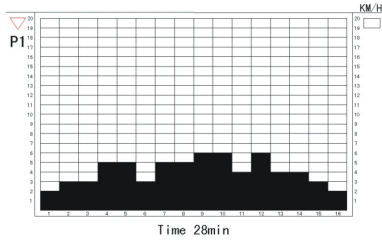
Das Display zeigt den Messwert und das herzförmige Licht blinkt im Rhythmus des Pulses.

Störungen:

Meldungen des Computers bei Störungen des Geschwindigkeits-/ Steigungssensors:

- A. Er01: Störung bei der Geschwindigkeit. Wenn nach dem Start des Laufbands eine Störung bei der Geschwindigkeit auftritt, hält es nach 6 Sekunden an. Der Computer geht wieder in den Modus "betriebsbereit" zurück und das Zeit-Fenster zeigt "Er01". Der Computer kann nicht mehr bedient werden.
- B. Er02: Störung durch Überlaststrom Wenn nach dem Start des Laufbands Überlaststrom im Motor verzeichnet wird, hält das Gerät an und das Zeit-Fenster zeigt "Er02".
- C. Er03: Verbindungsstörung Wenn der Computer und der Antrieb keine Verbindung herstellen können, zeigt das Zeit-Fenster "Er03".
- D. Er04: Störung der Stromquelle Wenn eine Störung der Stromquelle des Antriebs vorliegt, zeigt das Zeit-Fenster "Er04".
- E. Störung der Steigungsfunktion: Wenn der Computer die Steigung nicht erkennt, zeigt das Steigungs-Fenster "--". Die "+/-" Tasten können zur Einstellung der Steigung benutzt werden.

Bedienung des Computers



Anweisungen zum Zusammenklappen, Umstellen und Ausklappen:

- 1) Zusammenklappen: Das Laufband kann zusammengeklappt werden. Dazu das Ende des Hauptrahmens anheben und nach oben klappen bis die Verbindungsstange durch die Zylinderstange hält. (Siehe Abbildung a)
- 2) Umstellen: An den Griffen anheben, sodass die Vorderfüße nicht mehr auf dem Boden aufliegen. Dann das zusammengeklappte Laufband schieben.
- 3) Um das Laufband wieder aufzustellen, das Ende des Hauptrahmens ein wenig anheben, bis die klappbare Stützstange höher als die Zylinderstange ist (siehe Abbildung a-1). Dann die klappbare Stützstange leicht mit dem Fuß neigen (siehe Abbildung a-2). Das Ende des Hauptrahmens kraftvoll herunterdrücken. Dabei den Fuß wegnehmen und das Ende des Hauptrahmens weiterdrücken. Das Zylinderstange gibt unter dem eigenen Gewicht nach (siehe Abbildung b) und der Hauptrahmen liegt flach auf dem Boden.

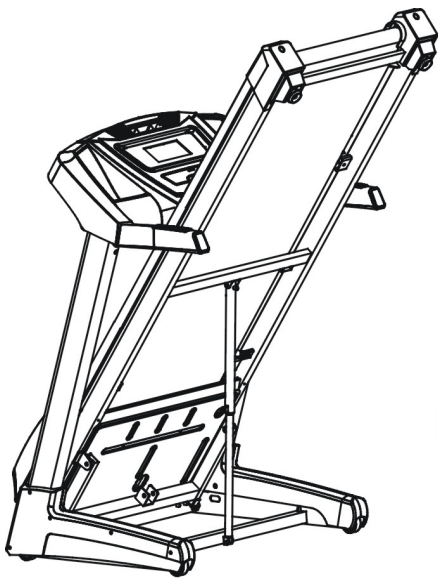


Figure a

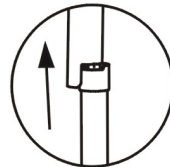


Figure a-1

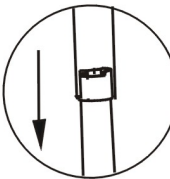


Figure a-2

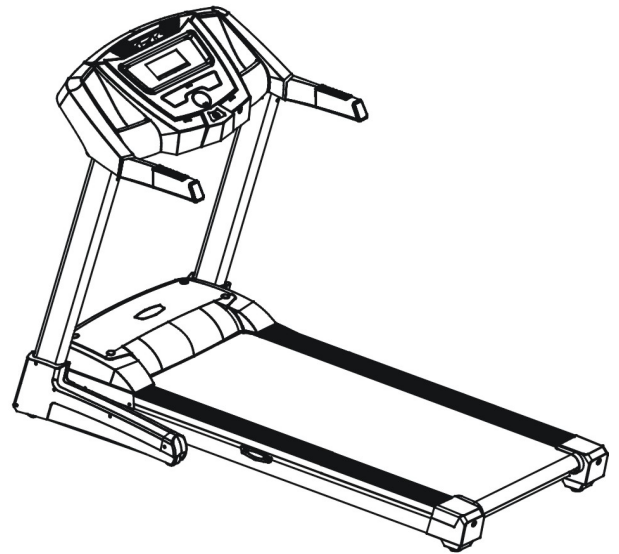
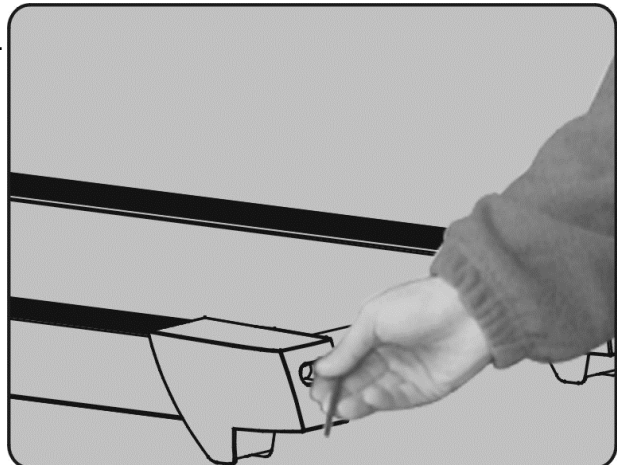


Figure b

Instandhaltung und Störungen:

- 1) Die Fläche des Laufbands muss sauber gehalten werden. Vor der Reinigung den Stecker herausziehen. Das Laufband und die Oberfläche des Geräts mit einem feuchten weichen Tuch reinigen.
- 2) Das Laufband wird bei der Herstellung passend in das Gerät eingebaut. Es kann nach dem Transport oder der Benutzung Funktionsstörungen aufweisen. Das Gerät vor der Ausrichtung abschalten. Das Laufband in der Mitte ziehen und dann die Bolzen links und rechts in der hinteren Rolle mit einem Innensechskantschlüssel anpassen (siehe Abbildung). Es wird empfohlen, zunächst mit einer halben Umdrehung zu beginnen. Dann das Gerät einschalten und prüfen, ob das Laufband Funktionsstörungen bei einer Geschwindigkeit von 4-5 km/h aufweist.
- 3) Nach 100 Stunden Benutzung oder wenn das Schmiermittel zwischen der Lauffläche und dem Laufband aufgebraucht ist, die Lauffläche schmieren und das Laufband sorgfältig ausrichten.
- 4) Nach einer langen Laufzeit kann das Band länger sein und feststecken. Dann muss der rechte und linke Ausrichtungsbolzen in der hinteren Rolle im Uhrzeigersinn gedreht werden, bis das Laufband reibungslos und frei funktioniert.



Achtung:

- 1) Die Sicherheit des Geräts ist nur gewährleistet, wenn es regelmäßig auf Schäden und Verschleiß geprüft wird, u.a. Bolzen und Befestigungen.
- 2) Bitte die defekten Teile sofort ersetzen und/oder das Gerät solange nicht benutzen, bis es repariert wurde.

Störung	Grund	Lösung
1. Gerät eingeschaltet, aber auf Display erscheint nichts	<ol style="list-style-type: none">1. Falsch eingesteckt2. Überlastschutzschalter aus3. Transformator falsch eingesteckt4. Sicherung des Antriebs durchgebrannt	<ol style="list-style-type: none">1. Stecker erneut einstecken2. Gerät zurücksetzen3. Überprüfen oder ersetzen4. Ersetzen
2. Anzeige Er01, Störung des Geschwindigkeitssensors	<ol style="list-style-type: none">1. Geschwindigkeitssensor defekt oder falsch installiert2. Optokoppler im Antrieb defekt3. Andere Teile außerhalb IC defekt	<ol style="list-style-type: none">1. Installation überprüfen oder Geschwindigkeitssensor ersetzen2. Antrieb oder Optokoppler ersetzen3. Antrieb ersetzen
3. Anzeige Er02, Störung des Motors durch Überlaststrom	<ol style="list-style-type: none">1. Überlaststrom am Motor2. Blockade der Rolle3. Antrieb defekt	<ol style="list-style-type: none">1. Motor ersetzen2. Mehr Schmiermittel anwenden3. Antrieb ersetzen
4. Anzeige Er03, Verbindungsstörung	<ol style="list-style-type: none">1. Falsche Signalleitung2. Optokoppler im Antrieb defekt3. Computer defekt	<ol style="list-style-type: none">1. Verbindung zwischen Computer und Antrieb durch Signalleitung prüfen2. Antrieb oder Optokoppler ersetzen3. Computer ersetzen
5. Anzeige Er04, Störung beim Antriebsstrom	<ol style="list-style-type: none">1. Motor falsch installiert oder defekt (defekte Schaltung)2. Relais des Antriebs defekt3. Brücke des Antriebs defekt4. Andere Teile außerhalb IC defekt	<ol style="list-style-type: none">1. Motor prüfen oder ersetzen2. Antrieb oder Relais ersetzen3. Antrieb oder Brücke ersetzen4. Antrieb ersetzen
6. Wenn Steigungs-Fenster "--" anzeigt, liegt eine Störung der Steigungsfunktion vor.	<ol style="list-style-type: none">1. Sensor des Steigungsmotors falsch eingesteckt2. Sensor des Steigungsmotors defekt3. Antriebsteile defekt	<ol style="list-style-type: none">1. Verbindung prüfen2. Steigungsmotor ersetzen3. Antrieb ersetzen
7. Ohne Läufer normaler Betrieb Mit Läufer schwer zu starten und Ruckeln	<ol style="list-style-type: none">1. Drehmoment des Antriebs zu gering2. Laufband zu locker3. falscher Motor	<ol style="list-style-type: none">1. Drehmoment anpassen2. Laufband anpassen3. Motor ersetzen

Teileliste / Werkzeugliste

No.	Description	Qty
1	Rahmenstütze	1
2	Hauptrahmen	1
3	Linke Konsolensäule	1
4	Rechte Konsolensäule	1
5	Vordere Laufrolle	1
6	Hintere Laufrolle	1
7	Laufmatte	1
8	Laufdeck	1
9	Linke Schiene	2
10	Steigungsrahmen	1
11	Cockpit /Handgriff	1
12	Ständer	5
13	Zylinderstütze	1
14	Federteller	1
15	Zylinder	1
16	Zylinderbuchse	1
17	Augenbolzen	2
18	Verstellbarer Standfuß	2
19	Polster	6
20	Rechte Schiene	1
21	Linke Endkappe	1
22	Rechte Endkappe	1
23	Motorabdeckung	1
24	Motorgrundabdeckung	1
25	Steigungsmotor	1
26	Motorstütze	1
27	6V Riemen	1
28	Spezielle Ø10 Unterlegscheibe	4
29	Transportrolle	4
30	Kleines Polster	4
31	Sensorrahmen	1
32	D50 x 25 Stecker	2
33	Quadratische Endkappe	2
34	Safety Key	1
35	Sicherungsmutter	2
36	Motor	1
37	Fingerförmiger Sensor	1
38	Transformer	2
39	Ritzel	2
40	Not-Aus-Schalter	1
41	Kippschalter	1
42	Kabelschnalle	1
43	Signalleitung	1
44	Konsolenanschlußplatte (L&R)	2
45	EMV Filter	1
46	Induktor	1
A1	Bolzen M10 x 20	2
A2	Bolzen M8 x 12	2
A3	Bolzen M8 x 45	3
A4	Bolzen M8 x 16	4
A5	Bolzen M8 x 30	1
A6	Bolzen M10 x 60	1
A7	Bolzen M10 x 45	1
A8	Bolzen M10 x 45	2
A9	Halbrunder Bolzen M8 x 50	2
A10	Halbrunder Bolzen M8 x 40	1
A11	Feststellschraube ST 4,2 x 10	21
A12	Halbrunder Bolzen M10 x 70	2
A13	Halbrunder Bolzen M8 x 16	6
A14	Feststellschraube ST4,2 x 12	5
A15	Feststellschraube ST4,2 x 40	6
A16	Bolzen M8 x 70	3
A17	Feststellschraube ST4,2 x 16	9
A18	Kreuzschlitzschraube M6 x 25	6
A19	Feststellschraube ST4 x 16	2
A20	Halbrunder Bolzen M8 x 35	2
A21	Halbrunder Bolzen M10 x 50	2
A22	Halbrunder Bolzen M8 x 16	4
B1	Mutter M6	2
B2	Nylonmutter M8	2
B3	Nylonmutter M10	4
B4	Nylonmutter M8	8
B5	Nylonmutter M6	6
C1	Unterlegscheibe Ø4	5
C2	Unterlegscheibe Ø6	2
C3	Unterlegscheibe Ø8	18
C4	Unterlegscheibe Ø10	4
C5	Große Unterlegscheibe Ø4	9
C6	Große Unterlegscheibe Ø8	4
C7	Federring Ø8	2
C8	Federring Ø4	4
D1	Schraubenschlüssel	1
D2	S5 Schraubenzieher	1
D3	S5 Schraubenzieher	1

SERVICEKARTE



Bitte füllen Sie alle Angaben dieses Formulars vollständig aus und legen Sie eine Kopie des datierten Kaufbeleges bei.

Persönliche Daten:

Vorname: _____ Tel. (privat): _____
Name: _____ Tel. (geschäftlich): _____
Straße: _____ Tel. (mobil): _____
PLZ, Ort: _____ E-mail: _____

Geräte-Spezifikation:

Artikel-Bezeichnung: **TR 200** Kaufdatum: _____
Artikel-Nummer: **11206** Händler: _____
Seriennummer: _____

Fehlerbeschreibung: _____



Beny Sports Germany GmbH
Klingenhofstraße 51 - 90411 Nürnberg
FAX: +49 (0) 911 975 978 1 - TEL +49 (0) 911 975 978 0
info@benysports.de · www.benysports.de